

Sign Background: White, Retro-reflective sheeting

Sign Legend: Black, Non-reflective

SIGN	DIMENSIONS (INCHES)								
	A	B	C	D	E	F	G	H	I
STD.	36	48	5/8	7/8	5E	5C	6	4	2 1/4
SPEC.	48	60	3/4	1 1/4	6E	6C	7 1/2	6	3

The LENGTH RESTRICTED sign (OR12-8) may be used to indicate vehicle length restrictions to post a section of highway that has a length restriction established by the road authority.

SIGNSTDP.F.11

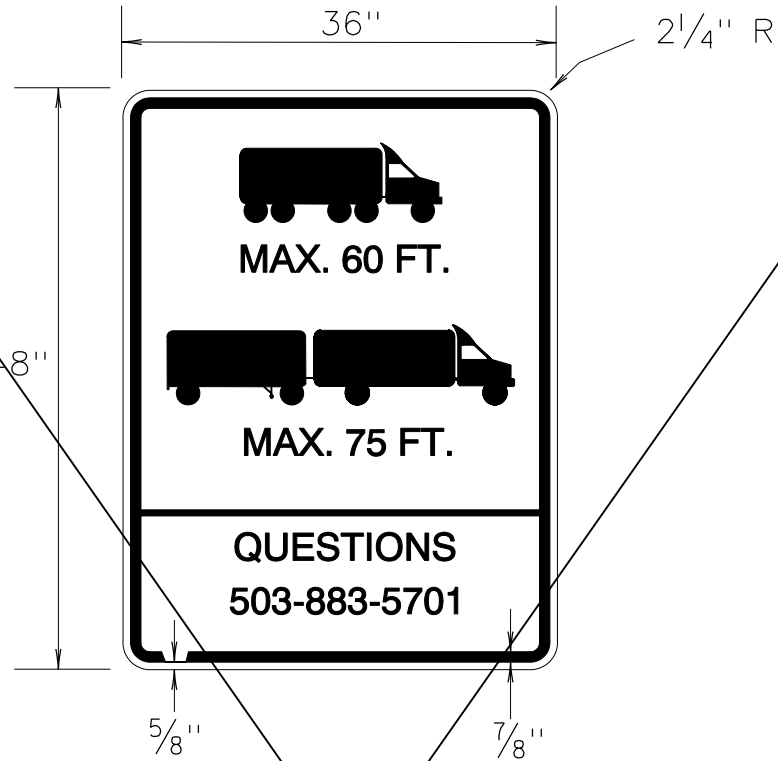
OREGON DEPARTMENT OF TRANSPORTATION

Approved By: S.T.E.

Date: 5/96

Publication Date: 5/09

Sign No. OR13-1



Sign Background: White, Reflective sheeting

Sign Legend: Black, Non-reflective

Also available in 48"x60" size

The truck length restriction symbol sign may be used to post a section of highway that has a length restriction established by the road authority.

SIGNSTDP.F.11

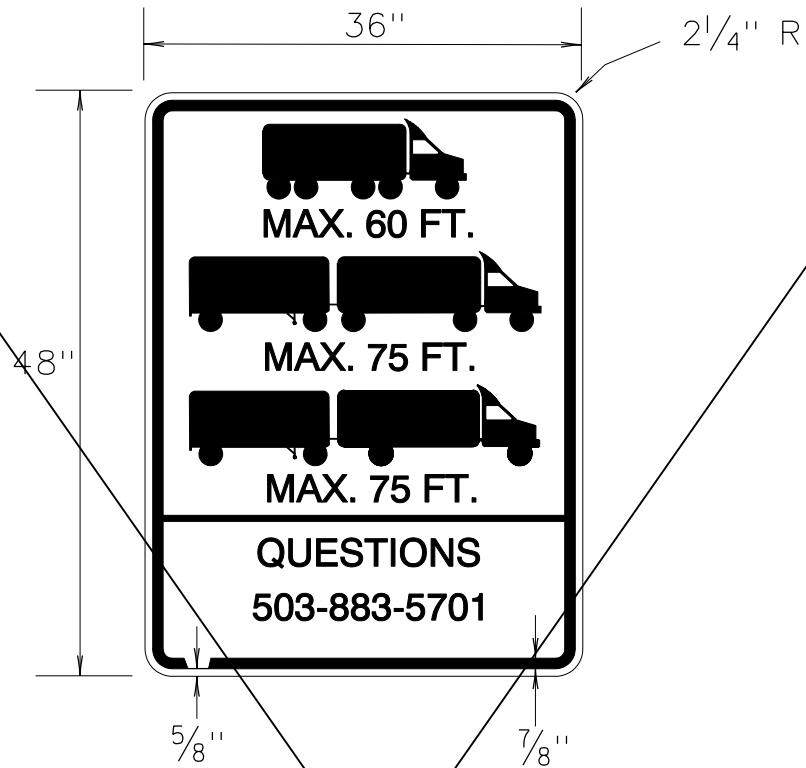
OREGON DEPARTMENT OF TRANSPORTATION

Approved By: S.T.E.

Date: 5/96

Publication Date: 12/97

Sign No. OR13-2



Sign Background: White, Reflective sheeting

Sign Legend: Black, Non-reflective

Also available in 48"x60" size

The truck length restriction symbol sign may be used to post a section of highway that has a length restriction established by the road authority.

SIGNSTDP.F.11

OREGON DEPARTMENT OF TRANSPORTATION

Approved By: S.T.E.

Date: 5/96

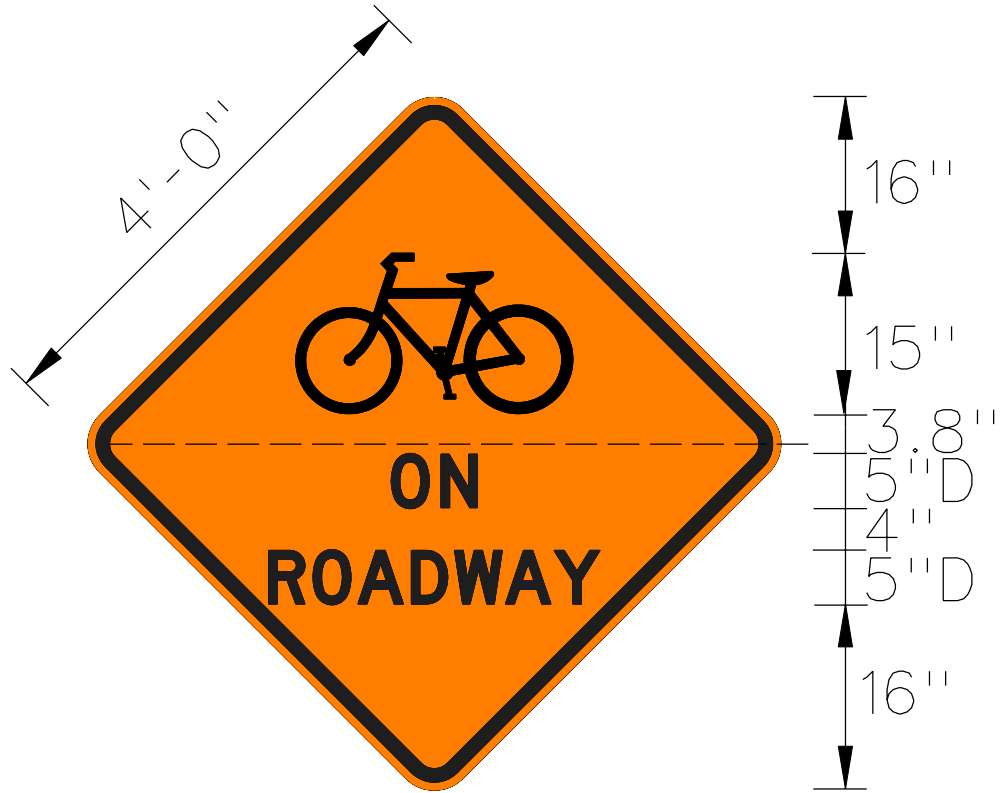
Publication Date: 12/97

To BE ADDED on PAGE 5-1

2D.48 General Information Signs (I Series)

The BUS STATION symbol sign (I - 6) shall be used on state highways to indicate the location of a bus stop on the state highway. When used the BUS STATION symbol sign should be accompanied by a supplemental plaque below the sign to identify the bus service that stops there. The BUS STATION symbol sign shall not be used on state highways as a guide sign to direct drivers to bus stations that are located off of the state highway.

Sign No. CW11-1



Sign Background: Orange, Retro-Reflective Roll-up sheeting

Sign Legend: Black, Non-reflective

SIGNSTDPG.F.14

The BICYCLES ON ROADWAY roll-up sign may be used instead of sign W11-1 and OBW1-5 in construction areas to remind motorists that bicycles may be present in the roadway.

OREGON DEPARTMENT OF TRANSPORTATION

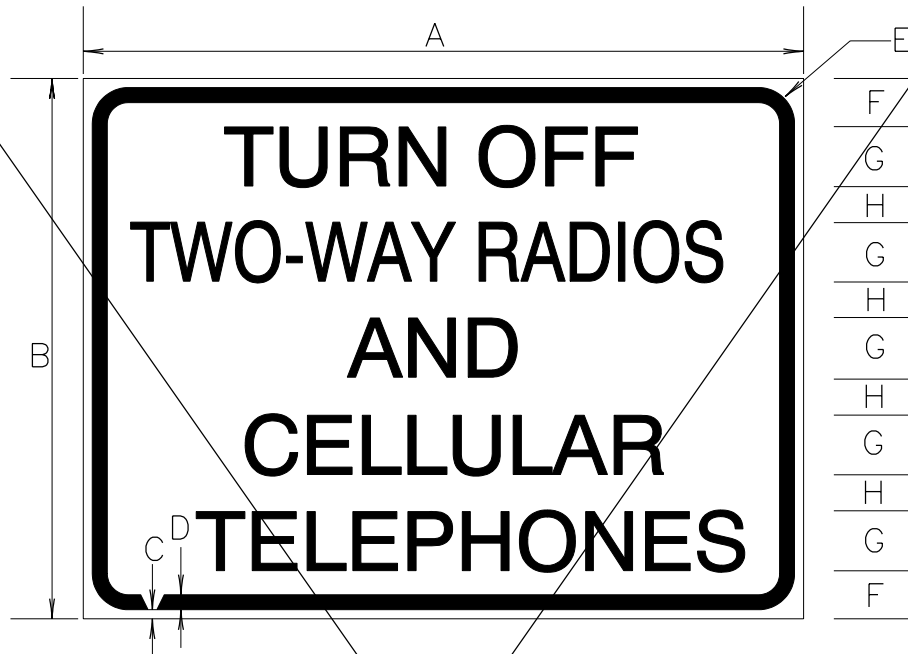
Approved By: S.T.E.

Date: 5/09

Publication Date: 5/09

DELETE USE W22-2 INSTEAD

Sign No. CW22-2



Sign Background: Orange, Reflective sheeting

Sign Legend: Black, Non-reflective

SIGN	DIMENSIONS (INCHES)											
	A	B	C	D	E	F	G	H	J	K	L	M
MIN.	42	36	5/8	7/8	3	3	4B	2 1/2				
STD.	60	45	3/4	1 1/4	3	4	5C	3				

The TURN OFF 2-WAY RADIO AND CELLULAR TELEPHONES sign should follow the BLASTING ZONE AHEAD sign and is placed at least 1,000 feet before the beginning of the blasting zone.

OREGON DEPARTMENT OF TRANSPORTATION

Approved By: S.T.E.

Date: 11-94

Publication Date: 8/97

SIGNSTDPG.F.14